



Royal Industrial Suppliers

Quality Fasteners Specialist

No. 4, M.G.S. Complex, Benki Nawab Street, S.P. Road Cross, Bangalore 560002



8310165941 / 9008782885



sales@royalfastenersindia.com



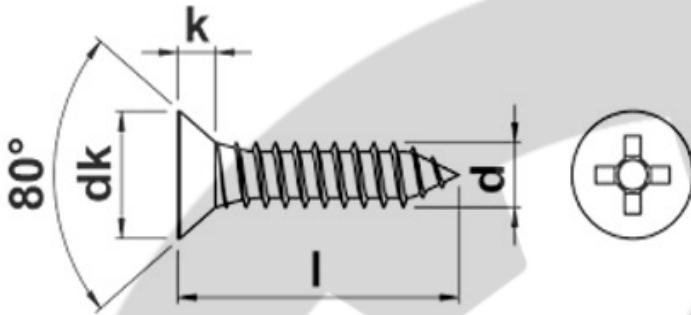
www.royalfastenersindia.com

MICRO SELF TAPPING SCREW CSK PHILIPS BLACK

CATALOGUE NUMBER: **B4A05**

AISS 304 A2

BLACK



Parameter ↓	Dia (d) →	1.0	1.2	1.4	1.7	2.0	2.3	2.6
Head Dia (dk)	Max	2.00	2.10	2.60	3.20	3.60	3.80	4.50
	Min	1.70	1.80	2.30	2.90	3.30	3.50	4.20
Head Thickness (k)	Max	0.60	0.70	0.90	1.20	1.40	1.60	1.80
	Min	0.30	0.40	0.60	0.90	1.10	1.30	1.50

Send your Orders / Enquiries along with the following Item Codes

All Dimensions are in MM

Length ↓	Dia d →	1.0	1.2	1.4	1.7	2.0	2.3	2.6
3		B4A0510003	B4A0510203	B4A0510403				
4		B4A0510004	B4A0510204	B4A0510404	B4A0510704	B4A0520004		
5		B4A0510005	B4A0510205	B4A0510405	B4A0510705	B4A0520005		
6		B4A0510006	B4A0510206	B4A0510406	B4A0510706	B4A0520006	B4A0520306	B4A0520606
8		B4A0510008	B4A0510208	B4A0510408	B4A0510708	B4A0520008	B4A0520308	B4A0520608
10		B4A0510010	B4A0510210	B4A0510410	B4A0510710	B4A0520010	B4A0520310	B4A0520610
12				B4A0510412	B4A0510712	B4A0520012	B4A0520312	B4A0520612
14					B4A0510714	B4A0520014	B4A0520314	B4A0520614
16					B4A0510716	B4A0520016	B4A0520316	B4A0520616
18						B4A0520018	B4A0520318	B4A0520618
20						B4A0520020	B4A0520320	B4A0520620
25								B4A0520625

Sizes in BLUE are non-preferred. Availability is limited and MOQ is higher.

Data is strictly informative.

Note: All Austenitic Stainless Steel Fasteners may exhibit some Magnetic Properties due to the Manufacturing Process.

Refer: ISO 3506-2 Annex F